

June 7, 1932.

V. DUNHILL

1,861,910

MOUTHPIECE FOR TOBACCO PIPES AND CIGAR AND CIGARETTE HOLDERS

Filed May 29, 1931

FIG. 1.

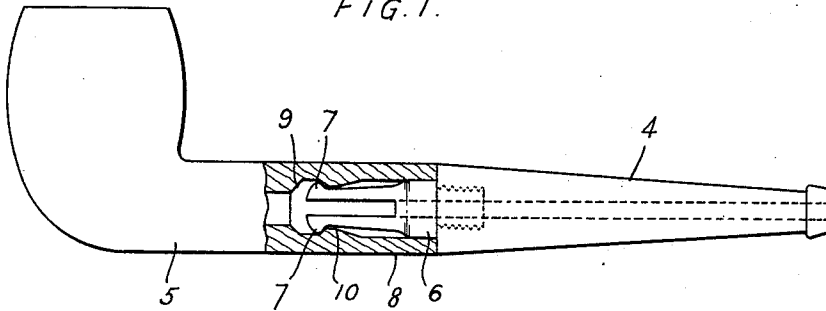


FIG. 2.

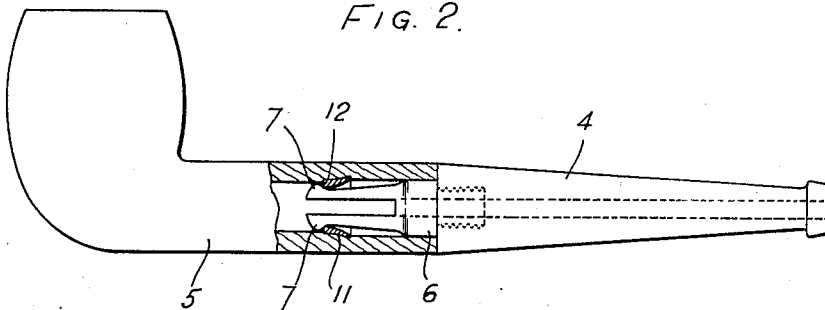


FIG. 3.

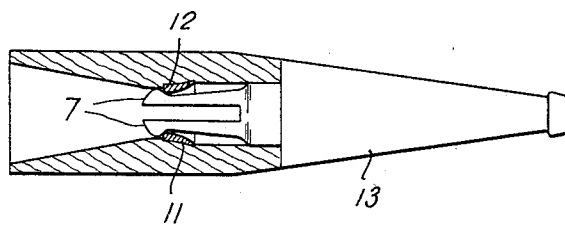
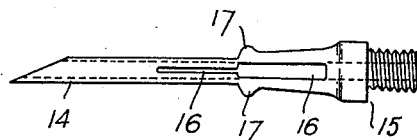


FIG. 4.



Inventor  
*Vernon Dunhill*  
by *Wilkinson & Mawkinney*  
Attorneys.

# UNITED STATES PATENT OFFICE

VERNON DUNHILL, OF LONDON, ENGLAND.

## MOUTHPIECE FOR TOBACCO PIPES AND CIGAR AND CIGARETTE HOLDERS

Application filed May 29, 1931, Serial No. 541,037, and in Great Britain April 7, 1931.

This invention relates to mouthpieces for tobacco pipes and cigar and cigarette holders.

The object of the invention is to produce an improved separable mouthpiece of the type wherein the mouthpiece is attached to the pipe or holder by a spigot and socket connection usually referred to as a "push in" fitting.

According to the invention the mouthpiece is fitted with a spigot, preferably of metal, which is split longitudinally to render it resilient and the free ends of the split portions are formed with external projections or otherwise suitably shaped. In the bore of the holder or pipe stem an abutment is provided, so that when the spigot is pressed into the stem the free ends thereof will engage the abutment and hold the parts together. The parts can be subsequently separated by a pull.

Preferably the abutment is formed by means of a recess in the holder or pipe stem which may be metal lined so that the spigot and the edge of the recess make a metallic contact.

To enable the invention to be fully understood it will now be described by reference to the accompanying drawing in which:—

Fig. 1 is a part sectional elevation of a tobacco pipe having one form of the invention applied thereto, and

Fig. 2 is a similar view shewing a further form of the invention.

Fig. 3 is a part sectional elevation shewing the invention applied to a cigar or cigarette holder.

Fig. 4 is a view of one form of the improved spigot combined with a liner tube.

As shewn in Fig. 1 the mouthpiece 4 of the pipe 5 is fitted with a metal spigot 6 which is split longitudinally to render it resilient and the free ends of the prongs so formed are provided with external projections 7. The pipe stem 8 is formed with a socket or recess 9 and as shewn this socket is so shaped that when the mouthpiece is pressed home the projections 7 snap into the socket and are retained by the annular shoulder 10. The mouthpiece is thus held firmly in place and the parts can be separated by a pull. The socket may be metal lined in

any suitable manner or the shoulder portion 10 faced with metal.

Fig. 2 shews a modification wherein the recess or socket of Fig. 1 is replaced by a metal ring 11 which is forced into the pipe stem, or fitted into a slight recess therein, so that the edge 12 projects into the bore of the stem and forms an annular shoulder over which the projections 7 of the spigot can snap.

Fig. 3 shews the arrangement of Fig. 2 applied to a cigar or cigarette holder 13. Obviously the arrangement of Fig. 1 could also be applied to a cigar or cigarette holder.

The spigot is preferably tapered and the projections thereon curved or shaped to assist in the sliding action over the annular shoulder.

Preferably the spigot is slit in such a way that the projecting portion consists of two prongs with a space of substantial width between them. This greatly facilitates cleaning. However the spigot may be slit to form more than two prongs if desired. With the above described constructions it is unnecessary to make any portion of the spigot a tight fit with the bore of the stem or holder, since the snap action holds the spigot firmly in the socket with the mouthpiece pressed against the stem or holder. Thus the binding of the spigot on the stem or holder which frequently occurs in known arrangements is obviated. The abutment in the pipe stem or bore may be in the form of an annular groove.

Fig. 4 shews the combination of the split spigot with a liner tube of known construction. In this case the liner tube 14 may be formed in one piece with the spigot 15, slits being provided at 16 and projections at 17.

Silver, aluminium or any other suitable metal may be used for the spigot, or even wood or other material provided it is sufficiently resilient.

Further the abutment formed in the bore of the stem may be covered with material other than metal and the metal ring shewn in Figs. 2 and 3 may be replaced by a ring of other suitable material.

I claim:—

1. In a tobacco pipe, cigar or cigarette

- holder, a stem, a mouthpiece separable from the stem, a spigot on the mouthpiece insertable in the stem and being split longitudinally to render same resilient, an abutment within said stem, said spigot and abutment having cooperating means thereon for interlocking when the spigot is pushed home within the stem. 70
2. In a tobacco pipe, cigar or cigarette holder, a hollow stem having a shoulder therein with a recess inwardly of the shoulder, a mouthpiece separable from the stem, a resilient spigot projecting from the mouthpiece for entry into the stem and being split longitudinally to permit of the compression and expansion of the same due to the inherent resiliency, said spigot having external projections to ride upon the shoulder and snap into the recess back of said shoulder. 80
3. In a tobacco pipe, cigar or cigarette holder, a hollow stem, an abutment mounted within said stem, a mouthpiece separable from the stem, a resilient spigot on said mouthpiece insertable within the stem and being longitudinally split to permit lateral expansion and contraction of the spigot, said spigot having external projections on its free end adapted to snap back of said abutment when the spigot is forced home in the stem. 90
4. In a tobacco pipe, cigar or cigarette holder, a hollow stem, a metallic abutment lying within said stem, a mouthpiece separable from the stem, a resilient metal spigot carried detachably by said mouthpiece and insertable in the stem, said spigot being longitudinally split for a great portion of its length, such split portion opening outwardly through the outer free end of said spigot, said spigot also having external projections thereon for snapping back of said metallic abutment when the spigot is forced home. 100
5. In a tobacco pipe, cigar or cigarette holder, a hollow stem, a mouthpiece separable from the stem, a spigot on the mouthpiece for insertion in the stem, said spigot being split longitudinally for a portion of its length to render the same resilient, said spigot having projections on its split portion, a liner tube extending beyond the split portion, and an abutment within the stem positioned to compress the projections on the spigot as the spigot moves into the stem and to interlock with such projections when the spigot is forced home. 110
6. In a tobacco pipe, cigar or cigarette holder, a hollow stem, a mouthpiece separable from the stem, a spigot carried by said mouthpiece for insertion in the stem, a liner tube carried by said spigot, said spigot and liner tube having longitudinal communicating slots therein, said spigot having external projections on its slotted portion, said stem having a recess therein, and a metal lining ring secured in the recess to form an abutment for interlocking with said projections. 120
7. As a new article of manufacture, a spigot, a liner tube forming a prolongation of the spigot, said spigot and liner tube being split longitudinally to render same resilient, and projections on the slit portion of the spigot to enable same to expand and contract. 125
- In testimony whereof I have signed my name to this specification.

VERNON DUNHILL.

75

80

85

90

95

100

105

110

115

120

125

130